

FormingSuiteProfessional

Complete Formability and Analysis Simulation for Sheet Metal Stamping

Powerful stamping analysis package for blank development, process design validation, and virtual prove-out using incremental stamping simulation. Combines:

- FASTBLANK (CHI Solver)
- FASTFORM Advanced (CHI Solver)
- FASTFORM MultiStage (FIT Solver)
- FASTIncremental (LS-DYNA Solver)

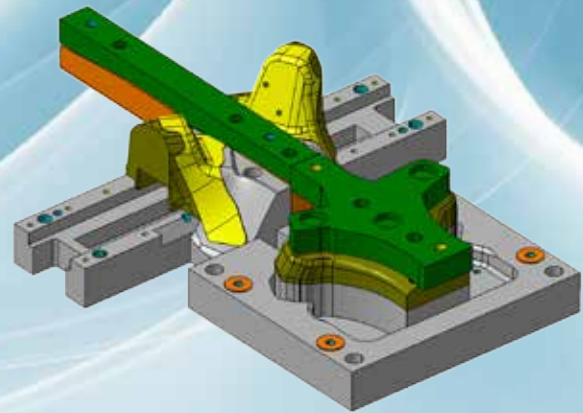
These seamlessly integrated tools provide simulation and validation of the entire process from quoting to tooling design to virtual prove-out with speed and efficiency in a simple and intuitive user interface.

Scientific physics-based approach eliminates formability guess work and results in substantial reduction in die tryout.

Accurately identifies safety zone, FLD, material thinning, gathering conditions, major/minor strain, springback and provides compensation data.



**Incremental Breakdown
for each Operation**



Import Progressive Die or Line Die Tooling

FormingSuiteProfessional seamlessly integrates all three stamping solvers in one easy to use, easy to understand environment

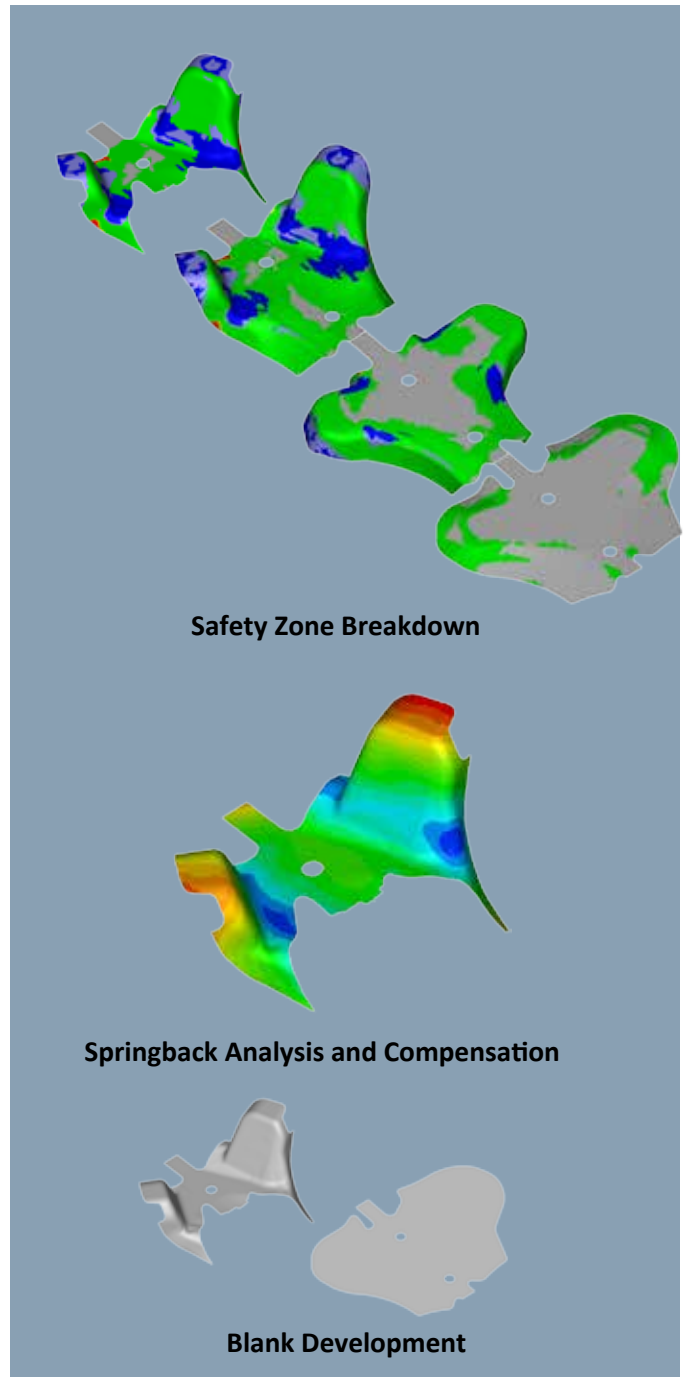


FormingSuiteProfessional

FormingSuite Professional is a user friendly combination one-step, implicit, and explicit incremental analysis solution that provides a complete virtual die development and tryout for tool and die makers. It requires no FEA background. It offers many new advanced features such as automatic blank shape, and location, automatic process setup and automatic binder closing and wrap.

FEATURES

- Simple and logical user interface designed for immediate productivity through a familiar Windows environment and excellent on-line help.
- Materials database contains over 200 common materials for immediate analysis. Materials can be imported from laboratory testing.
- Optional native CAD readers for CATIA V5, NX, JT, Creo Parametric, Parasolid, etc.
- Select forming conditions for Pressure Pads, Blank Holder Force, Pilot Holes, Pilot Slots.
- FTI's proprietary Coupled Hybrid Inverse (CHI) solver for accurate blank shape results.
- FTI's proprietary Finite Increment Technology (FIT) solver for fast accurate multistage validation.
- LSTC's LS-DYNA explicit incremental solver for the most accurate formability simulation results.
- Springback calculation and springback compensation data for export to CAD.
- Pre and Post-Processing is done in a single intuitive easy to use environment.
- Report generated in PPT, HTML, or Excel format.



About Forming Technologies

Forming Technologies Incorporated (FTI) is the world's leading developer of computer aided engineering software for design, and simulation of sheet metal components. Since 1989, FTI has provided OEMs and suppliers in the automotive, aerospace, and appliance industries with innovative software and training solutions designed to reduce development time and material costs. FTI has trained over 15,000 engineers in Formability and Die Design and is considered the Best in Class around the world for their industry training programs. FTI and its global network of business partners provide sales and technical support to customers in more than 35 countries.



Forming Technologies Inc.
3370 South Service Road, Suite 203
Burlington, ON, CANADA L7N 3M6

Tel: 905-340-3370
Fax: 905-340-0377

Please visit our website at
www.forming.com
for more information